



SELFCAIR 



INTRODUCTION TO **SELFCAIR**

By leveraging a diverse range of expertise from multiple industries, Selfcair is a tight-knit team of engineers based in Cambridgeshire, UK, dedicated to delivering innovative solutions to the sector.

Founded in 2015, the company was established by engineers with a shared vision to enhance operational efficiency.

Backed by Eximium, a French private equity firm, the synergy of experience, investment, and industry knowledge has empowered Selfcair to become a global leader, with nearly 200 operational lanes worldwide today.

By challenging current processes and with the use of modern technology, Selfcair are committed to creating honest, viable and innovative solutions that can be adapted to customer requirements making them attractive to the industry and passengers alike.

TYPES OF LANE

AVAILABLE

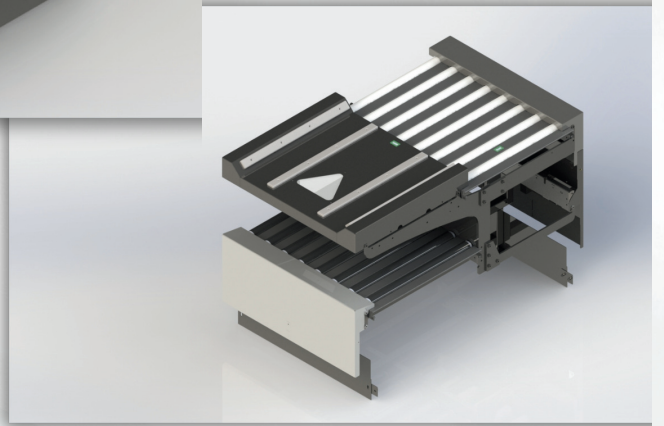
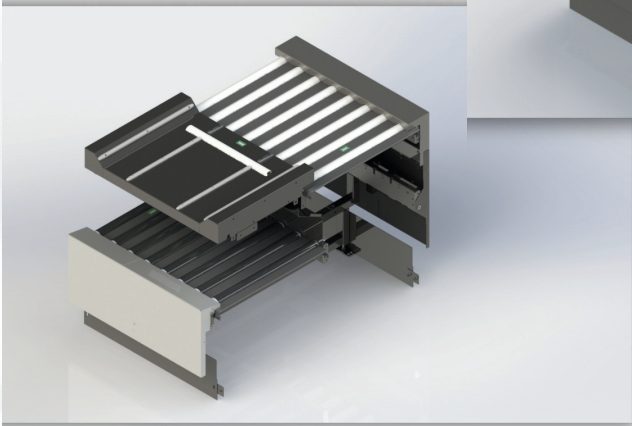
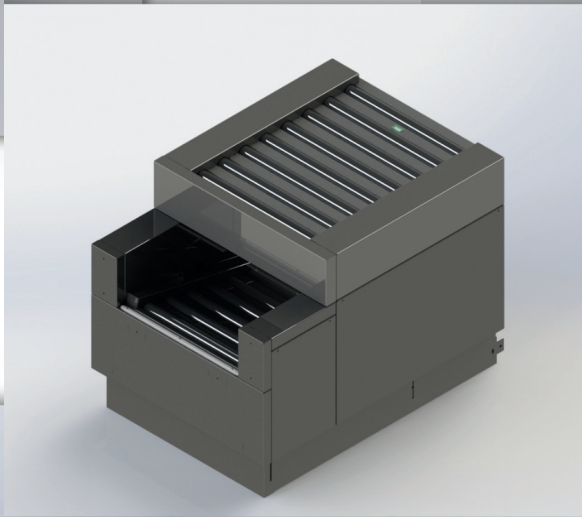
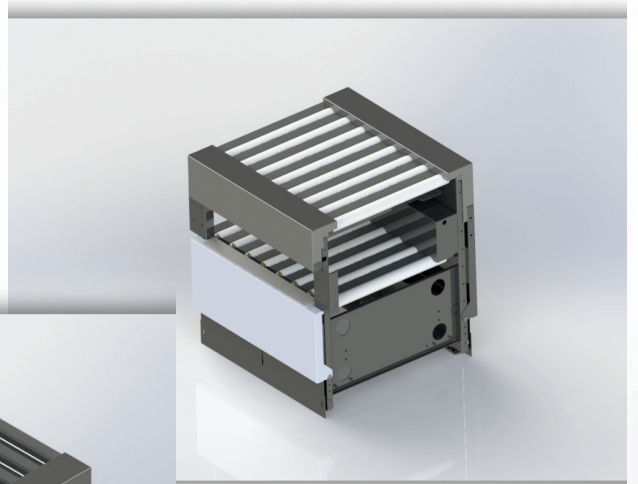
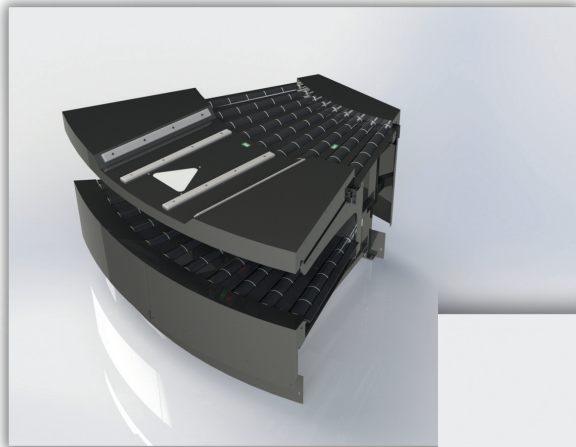
Parallel Divest: The most common lane used today, ideal to have multiple passengers divesting at same time

Serial Divest: Once the most common lane used. Still available today for staff access and control points

Letter Box: Type of Serial Divest and used where passenger throughput is lower or in restricted space

Twin Lane: Put simply, two individual lanes feeding through one screening machine. This solution provides more efficiency of one asset, giving a higher tray throughput

MODULARITY
AT ITS BEST

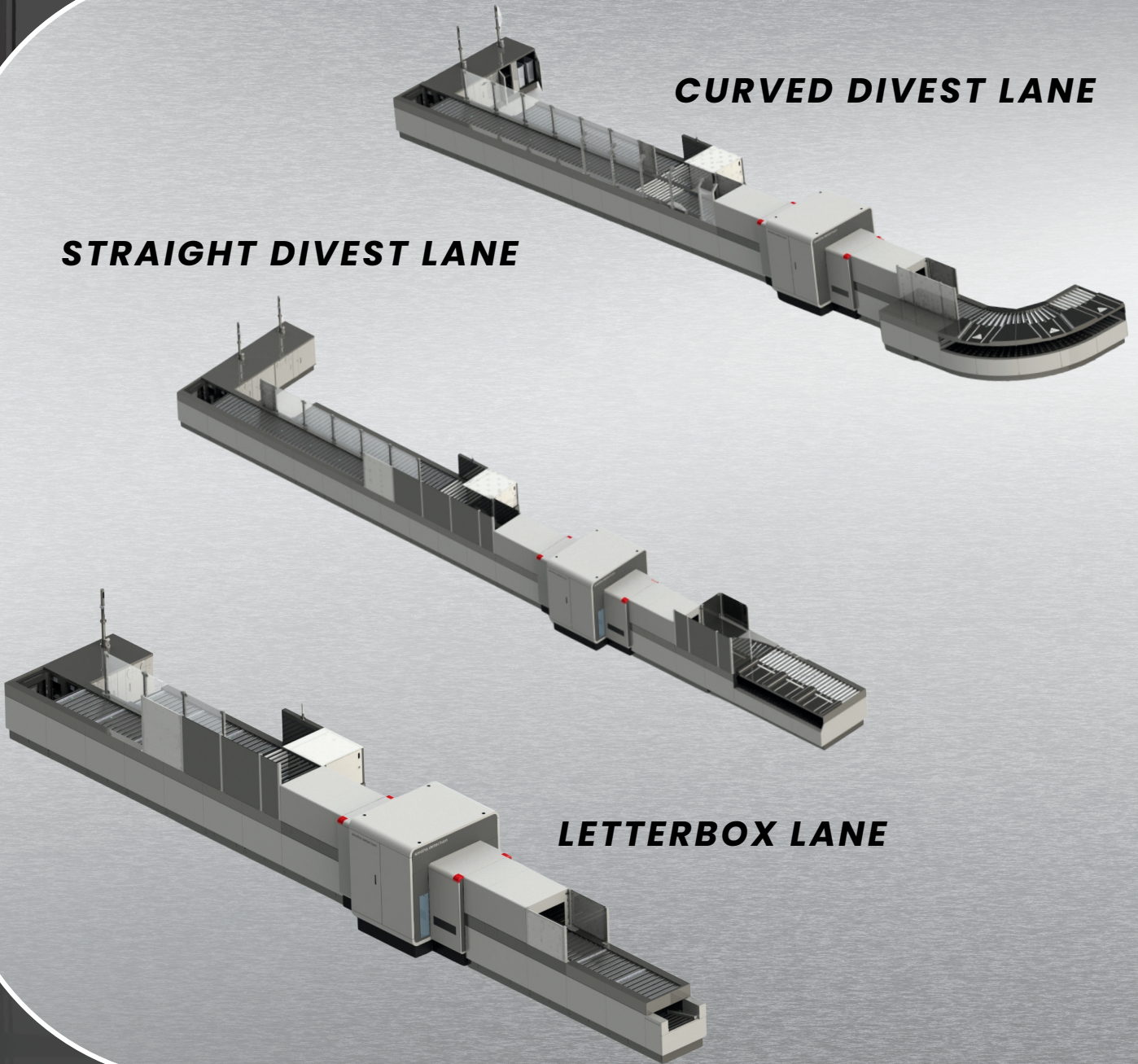


A combination of sound knowledge and broad experience, provides Selfcair with a firm platform to be truly visionary to the approach of delivering a modular designed system that will allow the system to be designed for many of the spatial constraints seen today.

STRAIGHT DIVEST LANE

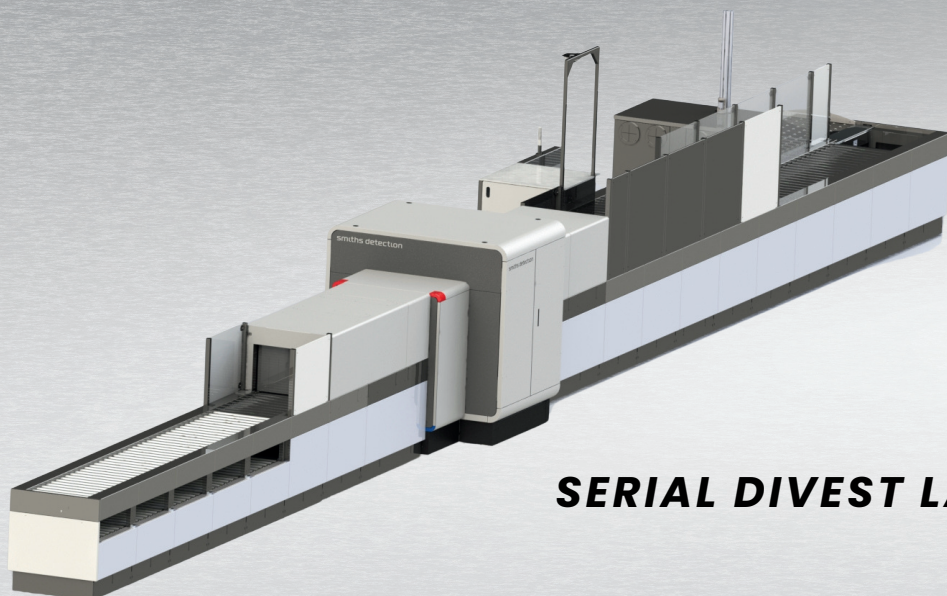
CURVED DIVEST LANE

LETTERBOX LANE

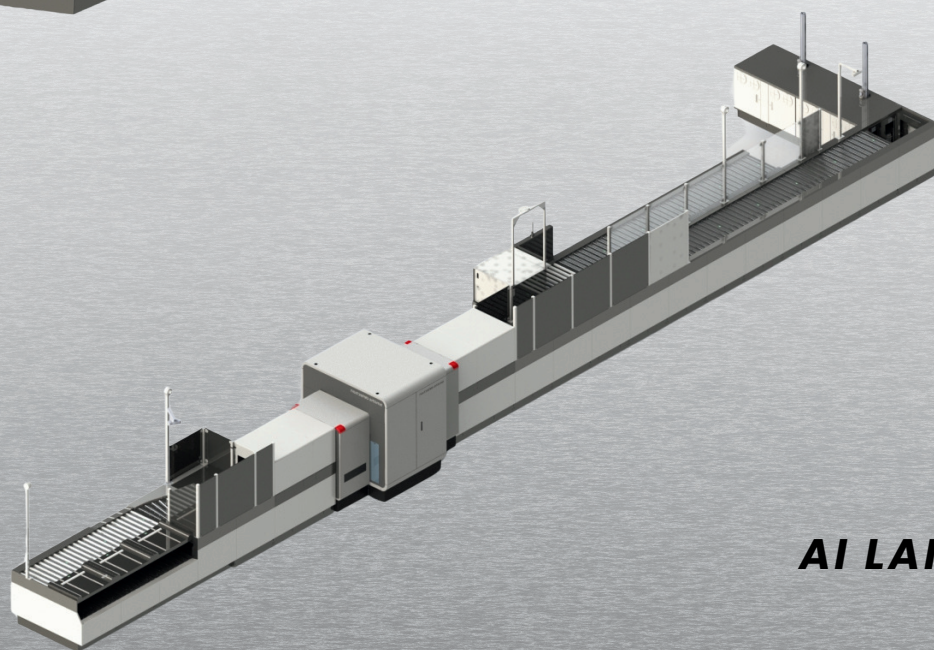


Selfcair TRS is agnostic to being used with CT or conventional x-ray and has a purpose designed interface that can be used by multiple screening machine vendors.

ILLUSTRATIONS OF
LAYOUTS



SERIAL DIVEST LANE



AI LANE



SELFCAIR 

Selfcair UK LTD

info@selfcair.com | Tel: 01945 742794

Units 8 & 9 Middle Drove Business Park, Middle Drove,
Marshland St. James, Wisbech, Cambridgeshire, England, PE14 8JT